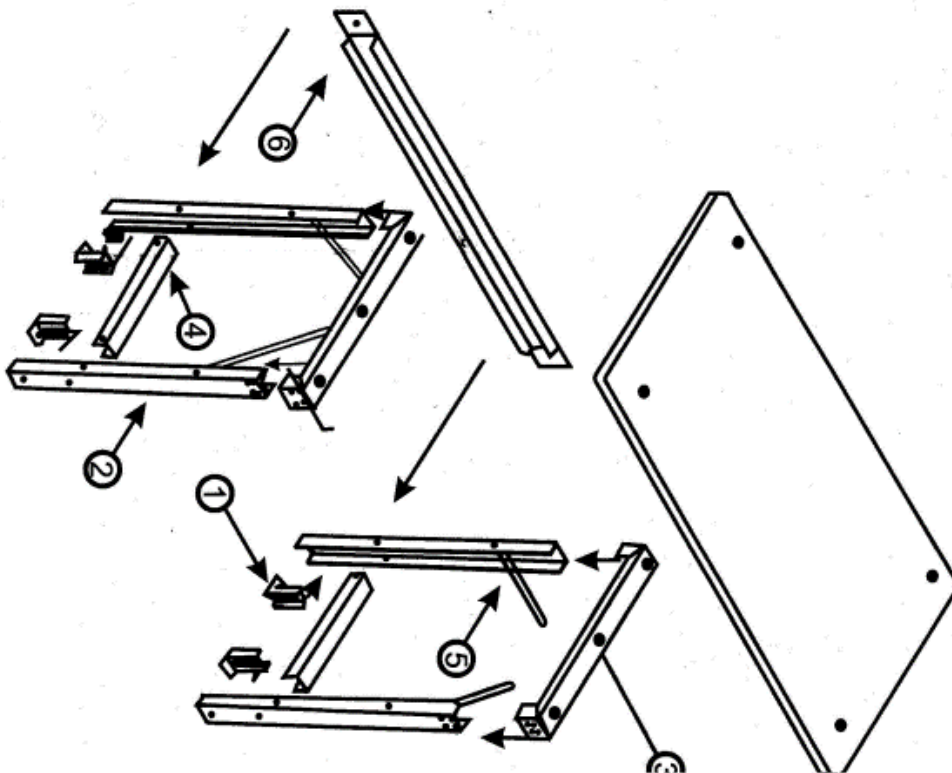


PHILLOCRAFT BASIC BENCH ASSEMBLY INSTRUCTIONS

1. ATTACH BOTTOM BRACE(#4) TO POST(#2) USING 5/16 X 3/4 HEX HEAD BOLTS AND NUTS
2. ASSEMBLE TOP BRACE(#3) TO POST ASSEMBLY USING 5/16 X 3/4 HEX HEAD BOLTS AND NUTS.
3. ADD STRAIGHT CORNER BRACES(#5) AS PER DRAWING USING 5/6 X 3/4 HEX BOLTS AND NUTS.
4. CONNECT STRINGER(#6) TO POST AT UPPER SET OF HOLES USING 1/2 X 7/8 HEX BOLT AND NUT.
5. CONNECT ADJUSTABLE LEG EXTENSION(#1)(OPTIONAL) TO POST USING 1/2 X 7/8 HEX BOLT AND NUT.
6. PLACE TOP ON STEEL WORK & ATTACH USING FOUR CARRIAGE BOLTS, NUTS AND WASHERS.

PART NO	DESCRIPTION	QTY.
1	ADJUSTABLE LEG EXTENSIONS(OPT.)	4
2	POST	4
3	TOP BRACE	2
4	BOTTOM BRACE	2
5	STRAIGHT CORNER BRACE	4
6	REINFORCING STRINGER	1
HARDWARE		
	1/2 X 7/8 HEX HEAD BOLT & NUT	2
	5/16 X 3/4 HEX BOLT, NUT	32
	5/16 X 1-1/2 CARRIAGE BOLT, NUT & WASHER	4



PHILLOCRAFT
 125 Kirby Road • Portland, Tennessee 37148-2004
 615/323-7233 • 800/822-5376 • Fax: 615/323-0906