

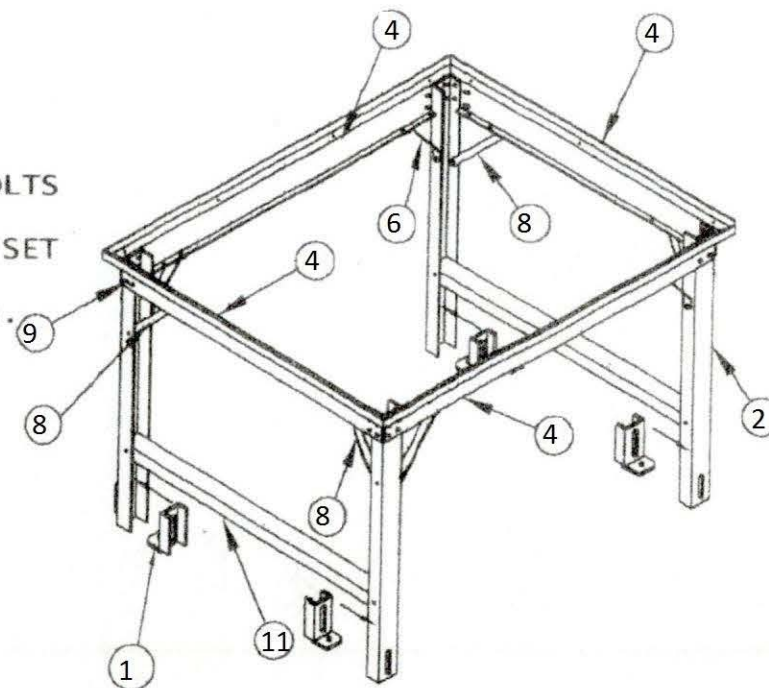
# PHILLOCRAFT

# INDIVIDUAL WORKSHOP

64-2010

## PHILLOCRAFT "INDIVIDUAL WORKSHOP TABLE" ASSEMBLY INSTRUCTIONS

1. ATTACH BOTTOM BRACE (# 11) TO POST (#2) USING 5/16 X 3/4 HEX HEAD BOLTS, AND NUTS.
2. ASSEMBLE END CAPS (#3) TO POST (#2) USING 5/16 X 3/4 HEX HEAD BOLTS, AND NUT.
3. CONNECT ADJUSTABLE LEG EXTENSION (#1) TO POST AT LOWER SET OF HOLES USING 1/2 X 7/8 HEX HEAD BOLTS, WASHER, AND NUT. CONNECT ANGLE CORNER BRACE (#6) L.H. AND (#7) R.H. USING 5/16 X 3/4 HEX HEAD BOLTS & NUT.
4. CONNECT DIAGONAL CORNER BRACE (#6) TO POST AT UPPER SET OF HOLES USING 5/16 X 3/4 HEX HEAD BOLTS AND NUTS.
5. ATTACH TABLE TOP USING ROUND HEAD SHEET METAL SCREWS.



### TABLE ASSEMBLY INSTRUCTIONS

ITEM NO.	DESCRIPTION	QTY.
1	ADJUSTABLE LEG EXTENSIONS	4
2	POST	4
4	END CAP	4
6	DIAGONAL CORNER BRACE	4
8	ANGLE CORNER BRACE LH	2
8	ANGLE CORNER BRACE RH	2
11	BOTTOM BRACE	2
HARDWARE		
	ROUND HEAD SHEET METAL SCREW	12-24
	1/2 X 7/8 HEXHEAD BOLT, NUT, WASHER	4
	5/16 X 3/4 HEX HEAD BOLT, NUT, LOCKWASHER	40